

FEIDER
MACHINES



ORBITAL SANDER 350 W

FPO350

CAUTION: Read the instructions before using the product.

CONTENTS

1. SAFETY INSTRUCTIONS	3
2. PRODUCT DESCRIPTION	6
3. SPECIFICATION	6
4. USE	7
5. REPLACEMENT OF PARTS AND MAINTENANCE	9
6. DISPOSAL	9
7. DECLARATION OF CONFORMITY	10
8. WARRANTY	11
9. PRODUCT FAILURE	12
10. WARRANTY EXCLUSIONS	13

1. SAFETY WARNINGS

GENERAL POWER TOOL SAFETY WARNINGS

WARNING Read all safety warnings, instructions, illustrations and specifications provided with this power tool. *Failure to follow all instructions listed below may result in electric shock, fire and/or serious injury.*

Save all warnings and instructions for future reference.

The term "power tool" in the warnings refers to your mains-operated (corded) power tool or battery-operated (cordless) power tool.

1) Work area safety

a) **Keep work area clean and well lit.** *Cluttered or dark areas invite accidents.*

b) **Do not operate power tools in explosive atmospheres, such as in the presence of flammable liquids, gases or dust.** *Power tools create sparks which may ignite the dust or fumes.*

c) **Keep children and bystanders away while operating a power tool.** *Distractions can cause you to lose control.*

2) Electrical safety

a) **Power tool plugs must match the outlet. Never modify the plug in any way. Do not use any adapter plugs with earthed (grounded) power tools.** *Unmodified plugs and matching outlets will reduce risk of electric shock.*

b) **Avoid body contact with earthed or grounded surfaces, such as pipes, radiators, ranges and refrigerators.** *There is an increased risk of electric shock if your body is earthed or grounded.*

c) **Do not expose power tools to rain or wet conditions.** *Water entering a power tool will increase the risk of electric shock.*

d) **Do not abuse the cord. Never use the cord for carrying, pulling or unplugging the power tool. Keep cord away from heat, oil, sharp edges or moving parts.** *Damaged or entangled cords increase the risk of electric shock.*

e) **When operating a power tool outdoors, use an extension cord suitable for outdoor use.** *Use of a cord suitable for outdoor use reduces the risk of electric shock.*

f) **If operating a power tool in a damp location is unavoidable, use a residual current device (RCD) protected supply.** *Use of an RCD reduces the risk of electric shock.*

3) Personal safety

a) **Stay alert, watch what you are doing and use common sense when operating a power tool. Do not use a power tool while you are tired or under the influence of drugs, alcohol or medication.** *A moment of inattention while operating power tools may result in serious personal injury.*

b) **Use personal protective equipment. Always wear eye protection.** *Protective equipment such as a dust mask, non-skid safety shoes, hard hat or hearing protection used for appropriate conditions will reduce personal injuries.*

c) **Prevent unintentional starting. Ensure the switch is in the off-position before connecting to power source and/or battery pack, picking up or carrying the tool.** *Carrying power tools with your finger on the switch or energising power tools that have the switch on invites accidents.*

d) **Remove any adjusting key or wrench before turning the power tool on.** *A wrench or a key left attached to a rotating part of the power tool may result in personal injury.*

e) **Do not overreach. Keep proper footing and balance at all times.** *This enables better control of the power tool in unexpected situations.*

f) **Dress properly. Do not wear loose clothing or jewellery. Keep your hair and clothing away from moving parts.** *Loose clothes, jewellery or long hair can be caught in moving parts.*

g) **If devices are provided for the connection of dust extraction and collection facilities, ensure these are connected and properly used.** *Use of dust collection can reduce dust-related hazards.*

h) **Do not let familiarity gained from frequent use of tools allow you to become complacent and ignore tool safety principles.** *A careless action can cause severe injury within a fraction of a second.*

4) Power tool use and care

a) **Do not force the power tool. Use the correct power tool for your application.** *The correct power tool will do the job better and safer at the rate for which it was designed.*

b) **Do not use the power tool if the switch does not turn it on and off.** *Any power tool that cannot be controlled with the switch is dangerous and must be repaired.*

c) **Disconnect the plug from the power source and/or remove the battery pack, if detachable, from the power tool before making any adjustments, changing accessories, or storing power tools.** *Such preventive safety measures reduce the risk of starting the power tool accidentally.*

d) **Store idle power tools out of the reach of children and do not allow persons unfamiliar with the power tool or these instructions to operate the power tool.**

Power tools are dangerous in the hands of untrained users.

e) **Maintain power tools and accessories. Check for misalignment or binding of moving parts, breakage of parts and any other condition that may affect the power tool's operation. If damaged, have the power tool repaired before use.** *Many accidents are caused by poorly maintained power tools.*

f) **Keep cutting tools sharp and clean.** *Properly maintained cutting tools with sharp cutting edges are less likely to bind and are easier to control.*

g) **Use the power tool, accessories and tool bits etc. in accordance with these instructions, taking into account the working conditions and the work to be performed.** *Use of the power tool for operations different from those intended could result in a hazardous situation.*

h) **Keep handles and grasping surfaces dry, clean and free from oil and grease.** *Slippery handles and grasping surfaces do not allow for safe handling and control of the tool in unexpected situations.*

5) Service

a) **Have your power tool serviced by a qualified repair person using only identical replacement parts.** *This will ensure that the safety of the power tool is maintained.*

SANDER SAFETY WARNINGS

Hold the power tool by insulated gripping surfaces, because the sanding surface may contact its own cord. *Cutting a "live" wire may make exposed metal parts of the power tool "live" and could give the operator an electric shock.*

SPECIFIC SAFETY INSTRUCTIONS FOR SANDER



WARNING! Sander can result in the formation of hazardous dusts (e.g. arising from materials such as paints containing lead, materials containing asbestos, metals or some wood types), which can present a health hazard to the operator or persons in the vicinity if touched or inhaled. Make sure that the workplace is well ventilated. Always wear safety goggles, safety gloves and respiratory protection. Attach a dust extraction system.

1. Secure the workpiece. A workpiece that is retained with clamping appliances or a vice is held more securely than with your hands.
2. Only use the power tool for dry sanding. Do not scrape moist materials. Penetration of water into the power tool increases the risk of electric shock.
3. Avoid overheating the sanded object and the sander itself. Possible fire hazard.
4. The workpiece gets hot during grinding. Do not touch the machined area, allow it to cool down. There is a risk of burning. Do not use coolants or the like.
5. Always empty the dust container before work breaks. Sanding dust in the dust sack, microfilter, paper

sack (or in the filter sack or extraction system filter) can self-ignite under unfavourable conditions such as flying sparks caused by grinding metals. Particular hazards are caused if the sanding dust is mixed with paint, polyurethane residues or other chemical substances, or if the sanded object is hot after long working periods.





6. Please check the operating manual of your vacuum cleaner whether it is suitable for the suction of grinding chips.
7. Connect the appliance to a power socket with a residual current circuit breaker of rated residual current no more than 30mA.
8. Type Y attachment, If the replacement of the supply cord is necessary, this has to be done by the manufacturer or his agent in order to avoid a safety hazard.

RESIDUAL RISK

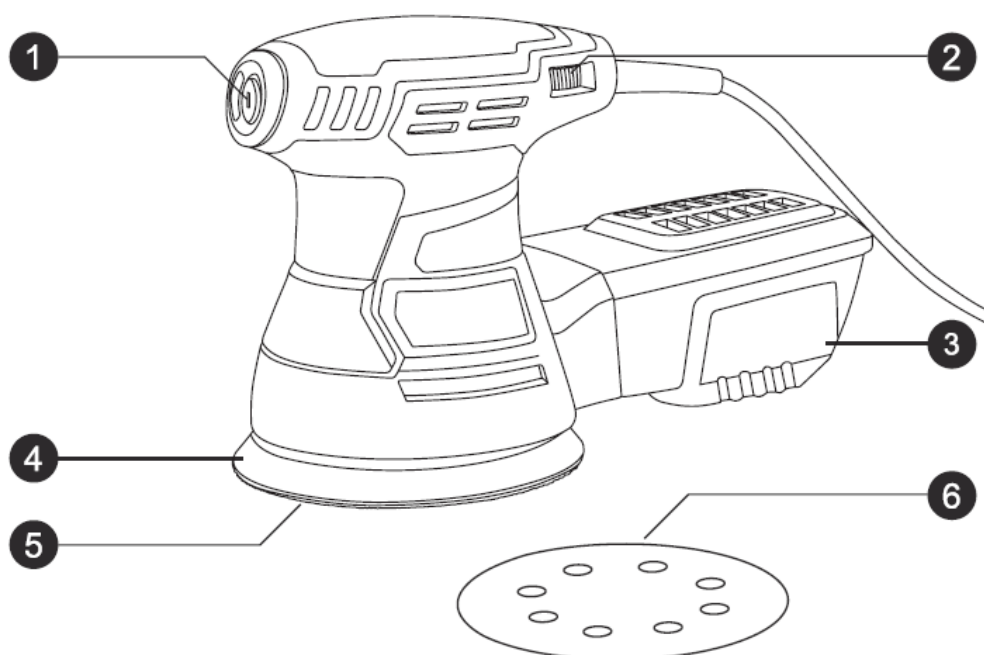
Even if properly operating and handling this electric tool, some residual risks will remain. Due to its construction and build, this electric tool may present the following hazards,

1. Lung damage, if suitable respiratory protection is not worn;
2. Cuts
3. Ear damage if working without wearing ear protection
4. Eye damage if suitable eyes protection is not worn.
5. Damage to your health caused by swinging your hands and arms when operating the electric tool for longer periods of time or if the too is not held or maintained properly

SYMBOLS

	<p>WARNING-To reduce the risk of injury, user must read instruction manual.</p>
	<p>Electrical products must not be disposed of with the domestic waste.</p>
	<p>Protection class II (double insulation)</p>
	<p>In accordance with essential applicable safety standards of European directives</p>

2. PRODUCT DESCRIPTION



- | | | |
|--------------------------|--------------------------|------------------------------|
| 1) O / I (ON/OFF) switch | 3) Dust canister | 5) Round velcro sanding base |
| 2) Speed adjuster | 4) Velcro locking system | 6) Sanding paper |

3. SPECIFICATION

Rated voltage	230V~, 50Hz
Rated power	350W
Rated no-load/ no:	3000-13000/min
Degree of Protection:	IPX0
Protection class:	II (double insulation)
Weight (without sander disc and dust collection box)	2,0 kg
Noise emission value according to EN 62841-2-4	
Sound pressure level L_{PA}	83,0 dB(A), K= 3dB(A)
Sound power level L_{WA}	94,0 dB(A), K= 3dB(A)
Vibration emission value according to EN 62841-2-4	
Work mode ah	6,554 m/s^2
Uncertainty K	1.5 m/s^2

- The declared vibration total values and the declared noise emission values have been measured in accordance with a standard test method and may be used for comparing one tool with another.
- The declared vibration total values and the declared noise emission values may also be used in a preliminary assessment of exposure.

! WARNING

- The vibration and noise emissions during actual use of the power tool can differ from the declared values depending on the ways in which the tool is used especially what kind of workpiece is processed;
- It is necessary to identify safety measures to protect the operator that are based on an estimation of exposure in the actual conditions of use (taking account of all parts of the operating cycle such as the times when the tool is switched off and when it is running idle in addition to the trigger time).

4. USE

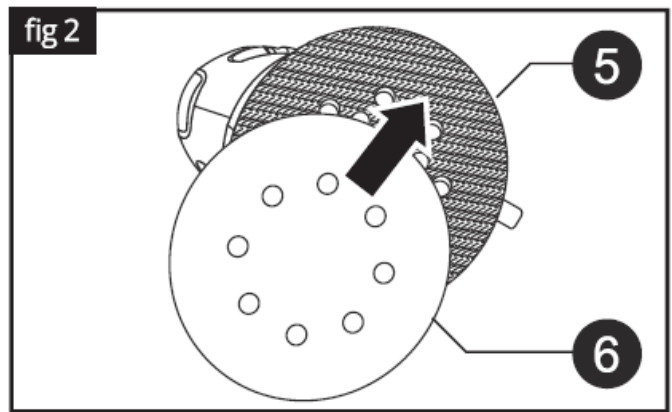
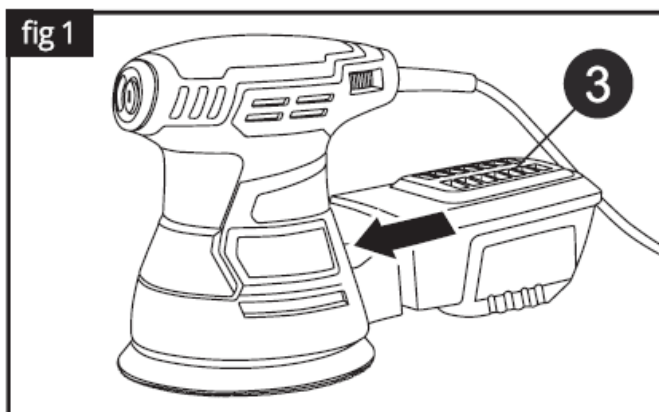
INTENDED USE

- The sander is intended for dry sanding of wood, metal, plastic, plaster and painted surfaces. The sander is not suitable for commercial use.
- The device is designed for use by adults. Adolescents over the age of 16 may use the device only under supervision. The manufacturer is not liable for damages caused by unspecified use or incorrect operation.
- Any other use or modification that is not explicitly approved in these instructions may result in damage to the device and represent a serious danger to the user.

INSTALLING AND REMOVING THE DUST CANISTER

⚠ WARNING, Before plugging in the tool, always make sure the switch trigger actuates properly and returns to the OFF position.

The dust canister (3) allows the dust collection from the workplace. Place the canister on the dust exit nozzle using steady force until it locks in place (fig 1). To remove the dust canister, follow the procedure in reversed order.



NOTE: For maximum efficiency, the dust canister should be emptied frequently during operation.

NOTE: The collection of the dust will only work if the sandpaper has holes that line up with the 8 dust collection holes in the Backing Pad.

INSTALLING AND REMOVING SANDING PAPER

Line up and then firmly press the round sanding paper (6) onto the round velcro sanding base (5) (fig 2). To remove the sanding paper, just peel the disc away from the sanding base.

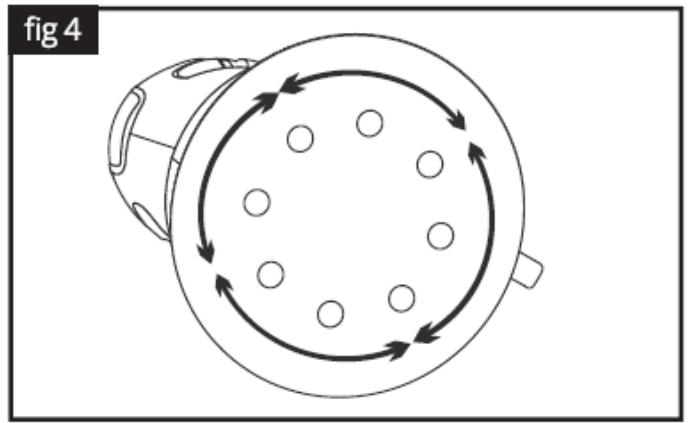
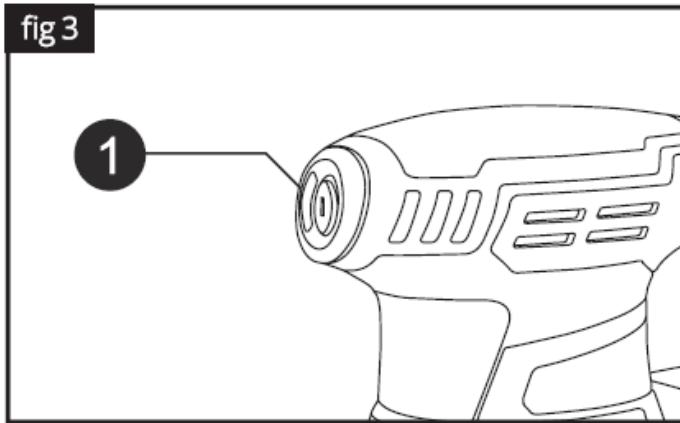
⚠ WARNING, Push firmly the sanding disc onto the sanding base so it can be evenly positioned, with the velcro locking system.

NOTE: A bad placement of the sanding base that is not properly aligned will reduce sanding performance.

USING THE TOOL

1) Switching ON and OFF

To turn on the machine press the O/ I (ON / OFF) switch (1), so it reaches position “ I ” (fig 3). To turn the machine off, press O/ I (ON / OFF) switch (1) so it reaches position “O”.



2) Cleaning the dust canister

Remove the dust canister (3) by pulling it from the dust outlet nozzle. Carefully shake the dust bag assembly with the end cap opening pointing downward to remove the sanding dust.

3) Selection of the sanding sheet

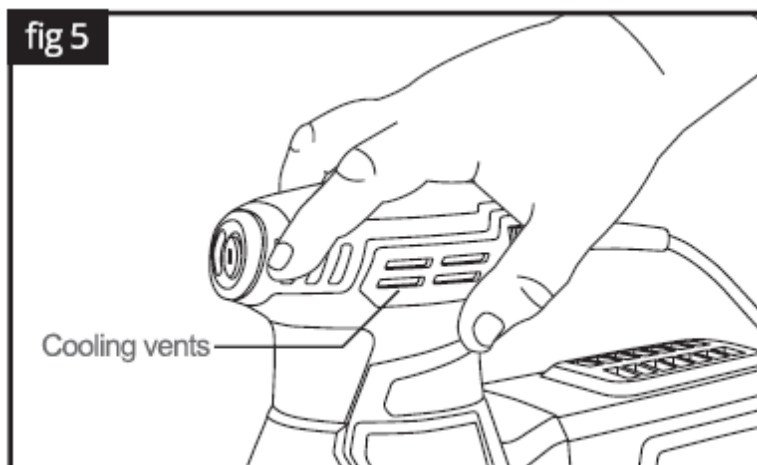
Grain size P	Application
P 60	For pre-sanding rough wood surfaces
P 80 or P 120	For plain sanding
P 240	For fine sanding of primed and painted surfaces

4) Sanding operation

- Clamp or otherwise secure your workpiece to prevent it from moving under the sander while being sanded. Secure the workpiece in a vice if possible.
- Place the sander on the workpiece so the complete sanding disc surface is in contact with the workpiece. Turn the sander ON by pressing on the left hand side of the ON/OFF switch. Move the sander slowly over the workpiece making successive passes in parallel lines, circles or crosswise movements. Because the random orbital motion of the sanding disc moves in tiny circles, it is not necessary to move the sander with the grain or in the same direction for successive passes (fig 4).
- Upon completion of the sanding operation, turn sander off by setting the switch to position "O" (OFF). Wait until the sanding disc comes to a complete stop before removing it from the workpiece.

⚠️ WARNING, your sander should only be turned ON when the entire surface of the sanding disc is in contact with the workpiece. Failure to follow this sanding procedure could result in a loose sanding disc, which could result in possible injury.

Hold the sander with one hand on the hand grip on top of the sander (fig 5). Be careful NOT to cover the cooling vents with your hand. Covering the cooling vents could cause the motor to be damaged by overheating.



5. REPLACEMENT OF PARTS AND MAINTENANCE

1) REPLACEMENT PARTS /ACCESSORIES



WARNING! Only use accessories specified in the operating manual. Using the accessories other than those specific in the operating manual may cause a risk of injury. Only get the accessories from the Service Centre.

2) MAINTENANCE



WARNING! RISK OF INJURY!

- Pull the mains plug before any adjustments, maintenance or repair.
- Repair and servicing work not described in this manual should always be carried by the Service Centre. Use only the original parts.
- The following cleaning and servicing should be done regularly. This will ensure a long and reliable service life.
- Do not spray the appliance with water and do not immerse it in water. **Electric Shock** hazard.
- Keep clean the ventilation slots, motor housing and handles of the appliance. Use a damp cloth or a brush. Do not use cleaning agents or solvents. You may otherwise irreparable damage the appliance.

3) STORAGE

- Switch off and unplug the appliance before storage.
- Allow the sander to cool down.
- Store the appliance in a dry and secure place well out of reach of children.
- Empty the dust collection box before storing the appliance.

4) TRANSPORT

Before transporting, observe the followings:

- Switch off and unplug the appliance.
- Allow the product to cool down.
- Put the appliance and accessories into the case.

6. DISPOSAL



To help the environment, please dispose of the product properly when it has reached the end of its useful life and not in the household waste. Information on collection points and their opening hours can be obtained from your local authority

7. DECLARATION OF CONFORMITY



Declaration of conformity

BUILDER SAS

ZI, 32 RUE ARISTIDE BERGES – 312070 CUGNAUX – FRANCE

Declares that the machinery designated below:

Orbital sander 350 W

Model number: FPO350

S/N: 20220527408-20220527911

Complies with the provisions of the Directive « machinery » 2006/42/EC and national laws transposing it:

Also complies with the following European directives:

EMC Directive 2014/30/EU

ROHS Directive (EU)2015/863 amending 2011/65/EU

Also complies with European standards, with national standards and the following technical provisions:

EN 62841-1 :2015

EN 62841-2-4: 2014

EN IEC 55014-1:2021

EN IEC 55014-2:2021

EN IEC 61000-3-2:2019+A1:2021

EN 61000-3-3:2013+A1:2019

Cugnaux, 22/04/2022

A handwritten signature in black ink, appearing to read 'Philippe MARIE', with a large, sweeping flourish at the end.

Philippe MARIE / PDG

8. WARRANTY

The manufacturer guarantees the product against defects in material and workmanship for a period of 2 years from the date of the original purchase. It can be extended by one year if the user subscribes to website of myswap. The warranty only applies if the product is for household use. The warranty does not cover breakdowns due to normal wear and tear.

The manufacturer agrees to replace parts identified as defective by the designated distributor. The manufacturer does not accept responsibility for the replacement of the machine, in whole or in part, and/or ensuing damage.

The warranty does not cover breakdowns due to:

insufficient maintenance.

abnormal assembly, adjustment or operations of the product.

parts subject to normal wear and tear.

The warranty does not extend to:

shipping and packaging costs.

using the tool for a purpose other than that for which it was designed.

the use and maintenance of the machine done in a manner not described in the user manual.

Due to our policy of continuous product improvement, we reserve the right to alter or change specifications without notice. Consequently, the product may be different from the information contained therein, but a modification will be undertaken without notice if it is recognized as an improvement of the preceding characteristic.

READ THE MANUAL CAREFULLY BEFORE USING THE MACHINE.

When ordering spare parts, please indicate the part number or code, you can find this in the spare parts list in this manual. Keep the purchase receipt; without it, the warranty is invalid. To help you with your product, we invite you to contact us by phone or via our website:

+33 (0)9.70.75.30.30

<https://services.swap-europe.com/contact>

You must create a "ticket" via the web platform.

Register or create your account.

Indicate the reference of the tool.

Choose the subject of your request.

Describe your problem.

Attach these files: invoice or sales receipt, photo of the identification plate (serial number), photo of the part you need (for example: pins on the transformer plug which are broken).



9. PRODUCT FAILURE

WHAT TO DO IF MY MACHINE BREAKS DOWN?

If you bought your product in a store:

- Make sure that your machine is complete with all accessories supplied, and clean! If this is not the case, the repairer will refuse the machine.
- Go to the store with the complete machine and with the receipt or invoice.

If you bought your product on a website:

- Make sure that your machine is complete with all accessories supplied, and clean! If this is not the case, the repairer will refuse the machine.
- Create a SWAP-Europe service ticket on the site: <https://services.swap-europe.com> When making the request on SWAP-Europe, you must attach the invoice and the photo of the nameplate (serial number).

Contact the repair station to make sure it is available before dropping off the machine.

Go to the repair station with the complete machine packed, accompanied by the purchase invoice and the station support sheet downloadable after the service request is completed on the SWAP-Europe site

Please keep your original packaging to allow for after-sales service returns or pack your machine with a similar cardboard box of the same dimensions.

For any question concerning our after-sales service you can make a request on our website <https://services.swap-europe.com>

Our hotline remains available at +33 (9) 70 75 30 30.



10. WARRANTY EXCLUSIONS

THE WARRANTY DOES NOT COVER:

- Start-up and setting up of the product.
- Damage resulting from normal wear and tear of the product.
- Damage resulting from improper use of the product.
- Damage resulting from assembly or start-up not in accordance with the user manual.
- Breakdowns related to carburetion beyond 90 days and fouling of carburetors.
- Periodic and standard maintenance events.
- Actions of modification and dismantling that directly void the warranty.
- Products whose original authentication marking (brand, serial number) has been degraded, altered or withdrawn.
- Replacement of consumables.
- The use of non-original parts.
- Breakage of parts following impacts or projections.
- Accessories breakdowns.
- Defects and their consequences linked to any external cause.
- Loss of components and loss due to insufficient screwing.
- Cutting components and any damage related to the loosening of parts.
- Overload or overheating.
- Poor power supply quality: faulty voltage, voltage error, etc.
- Damages resulting from the deprivation of enjoyment of the product during the time necessary for repairs and more generally the costs related to the immobilization of the product.
- The costs of a second opinion established by a third party following an estimate by a SWAP-Europe repair station
- The use of a product which would show a defect or a breakage which was not the subject of an immediate report and/or repair with the services of SWAP-Europe.
- Deterioration linked to transport and storage*.
- Launchers beyond 90 days.
- Oil, petrol, grease.
- Damages related to the use of non-compliant fuels or lubricants.

* In accordance with transport legislation, damage related to transport must be declared to carriers within 48 hours maximum after observation by registered letter with acknowledgement of receipt.

This document is a supplement to your notice, a non-exhaustive list.

Attention: all orders must be checked in the presence of the delivery person. In case of refusal by the delivery person, it you must simply refuse the delivery and notify your refusal.

Reminder: the reserves do not exclude the notification by registered letter with acknowledgement within 72 hours.

Information:

Thermal devices must be wintered each season (service available on the SWAP-Europe site). Batteries must be charged before being stored.



BUILDER SAS
32, rue Aristide Bergès - ZI 31270 Cugnaux – France
Made in PRC 2022